



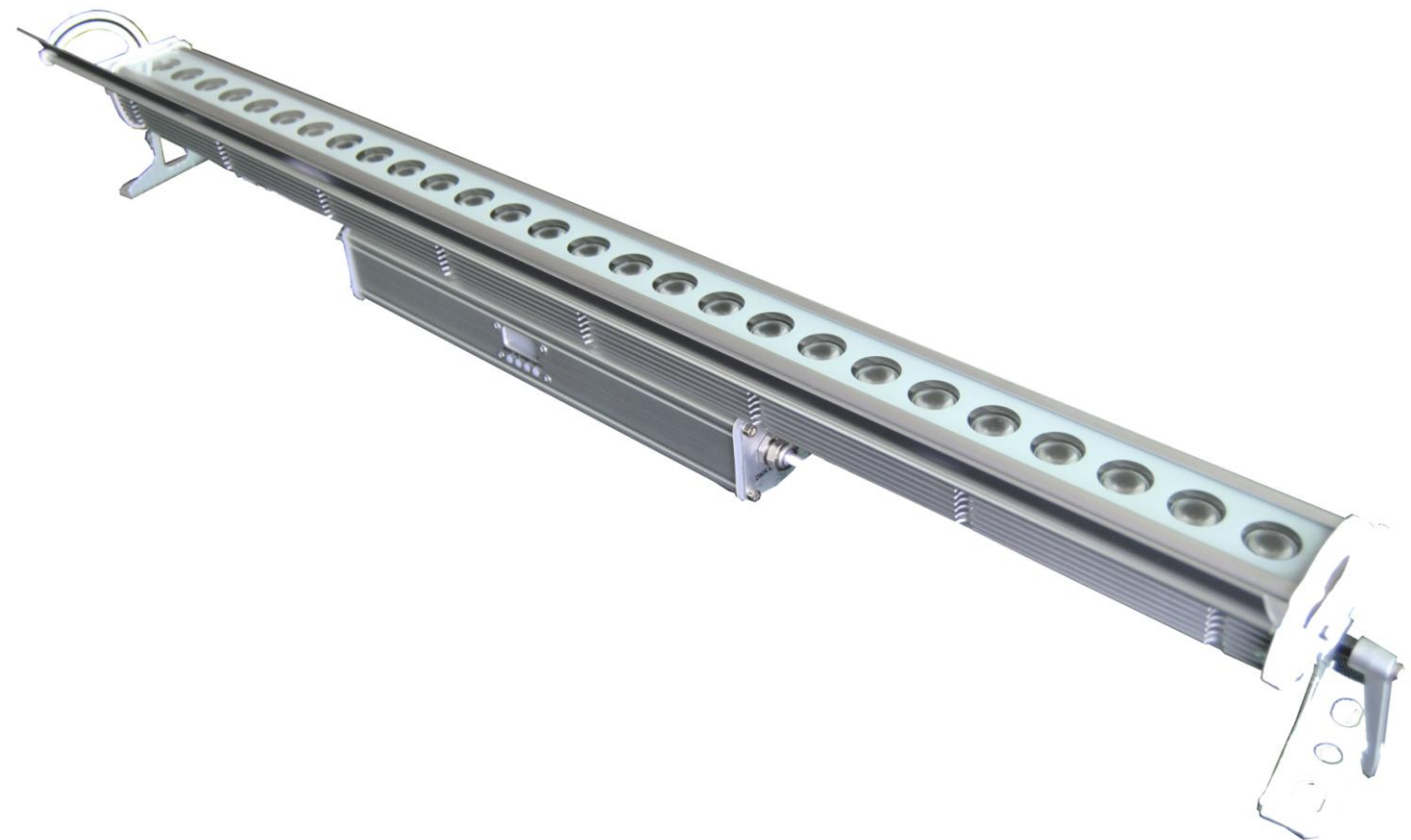
Create Date:2014-3-21  
Modify Date:2014-6-12  
Product Version:1.2

## **27Leds3W UV Outdoor Wall Washer**

### **User Manual**

**RG-W35TB3-SRUV27**

**RG-LW04**



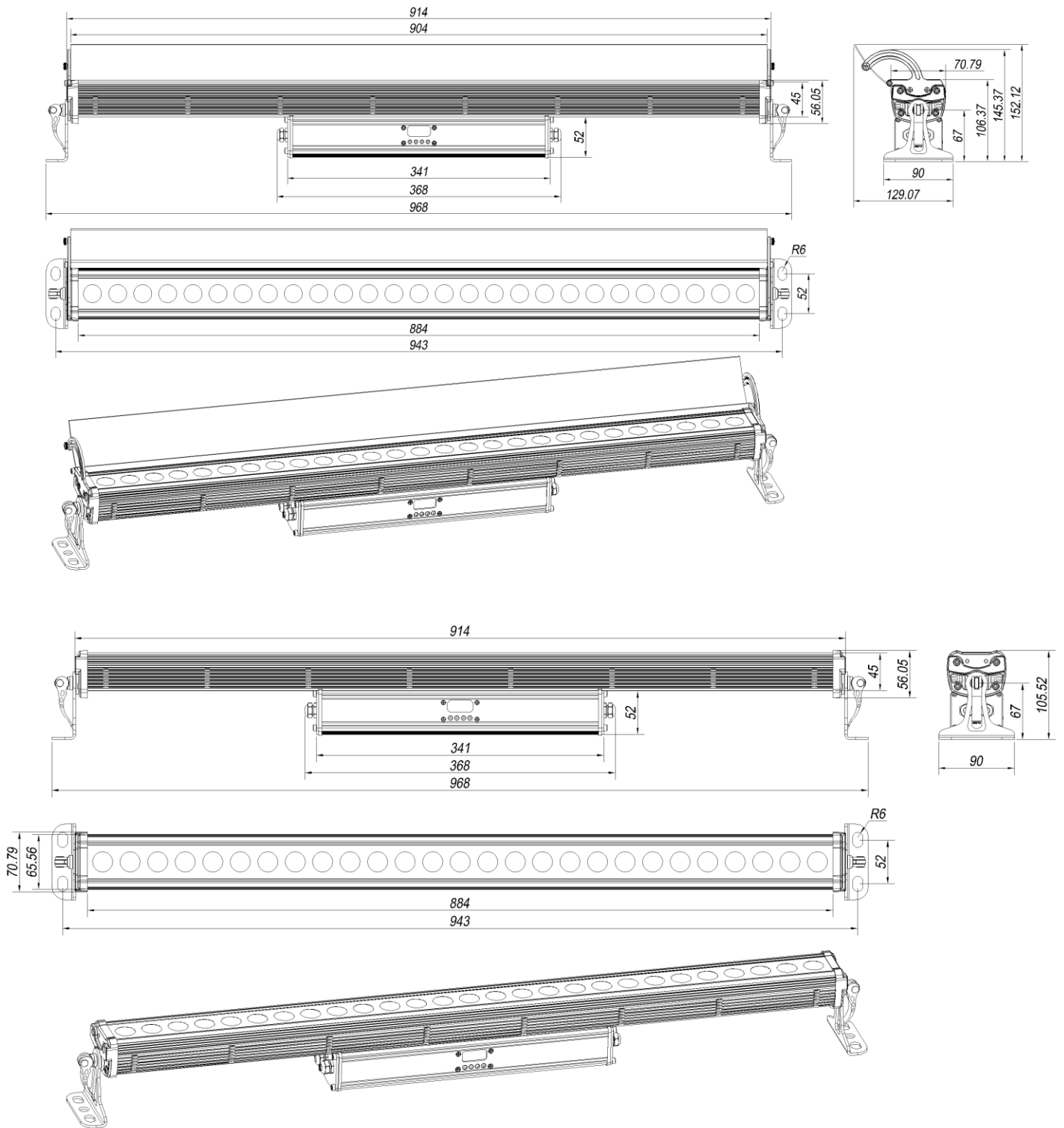
# Contents

Contents .....	1
1. Packing List .....	2
2. Schematic Diagram .....	2
3. Product Features .....	3
4. Specifications .....	3
4.1. Physical Specifications .....	3
4.2. Electrical Specifications .....	3
5. Installation Method.....	3
5.1. Installation Steps.....	3
5.2. Fixture Linking.....	4
5.3. AC Power .....	4
6. Important .....	4
7. Disclaimer.....	4
8. Control Board .....	5
9. Appendix .....	6
9.1. Channel Explanation .....	6

# 1. Packing List

- 3W27Leds Outdoor Wall washer 1 pcs
- User Manual 1 pcs
- Turn signal wiring 2 pcs

# 2. Schematic Diagram



## 3. Product Features

- Unlimited programming effects
- 32-bit color (16.7 million color combinations)
- Modular & highly portable
- No technical experience required
- Quick and easy installation
- No bulbs to replace
- Outdoor use
- High degree of protection IP65, can adapt to harsh outdoor environment and climate

## 4. Specifications

### 4.1. Physical Specifications

Product Series: Traditional Stage Lighting

Material: Aluminum

Color: Silvery White

LEDs: UV:27pcs 3W/pcs, total 27pcs

Beam Angle: 25°

Control mode: Auto-run mode, DMX-512 mode, Sound control mode

Body Size: 968x152x129mm (including hanging bar )

Package Size: 1045x170x200mm (1Pcs) 1060x360x420mm (4Pcs in1)

Net Weight: 4.5kg

Gross Weight: 5.9 kg

Protect Level: IP65

Ambient Temperature: -20°C~+40°C

### 4.2. Electrical Specifications

Rated Power: 81W

Input Voltage: AC 100~240V 50/60Hz

Service Life: 50000hours

Gray Level: 256

## 5. Installation Method

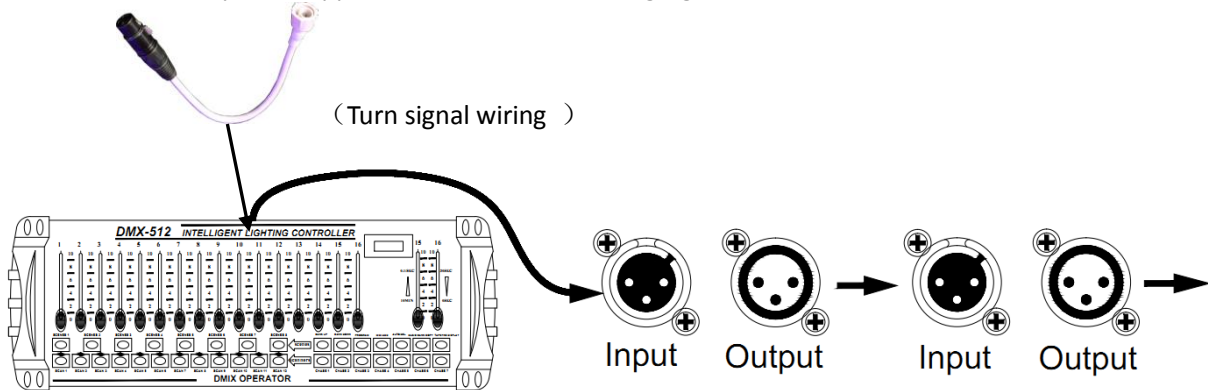
### 5.1. Installation Steps

1. Please hand this light into the suitable place with suitable angel.
2. To connect the cable and put into power, them the light stay in the status to receive the operation signal like : Music, Automatic, DMX512ect. Take note: Please out off the power line if you will not operate it for a certain time.
3. To connect the signal cable, plug one side into IN socket in the back of light and plug another side into OUT signal connector in the DMX 512 board(signal input: 1=>Ground, 2=>Data, 3=>data+).

## 5.2. Fixture Linking

To run your light shows of one or more fixtures using DMX-512 controller or to run synchronized shows on two or more fixtures in master/slave operating mode , you need DMX cables to link the units from DMX IN to DMX OUT.

**Notice:** the length of signal cables should be within 100meters, to prevent the signal interference by other appliances because of the long signal cables.



## 5.3. AC Power

The fixture is designed to work on 100-240V 50/60Hz. Before applying power to a unit, check that the source voltage matches the unit's requirement.

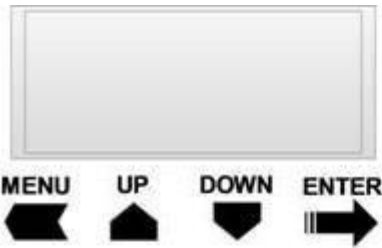
## 6. Important

- Do not power the installation process.
- When installing our LED-products, please employ an electrician, who can exactly follow our installation instructions.

## 7. Disclaimer

While every care has been taken with the details on this specification sheet, we take no responsibility for any inaccuracies caused during installation. We reserve the right to change these specifications without notice to always ensure that the customer is receiving a superior product.

# 8. Control Board



## KEY instruction

"MENU"/"Mode": return the upper menu

"ENTER": Enter the sub menu or saved the setting.

"UP"/"↑": add value or choose the previous value

"DOWN"/"↓": decrease value or choose the next value

<b>Addr</b>	→	d.001	↕	d.512	DMX address setting
<b>dn--</b>	→	dn.00	↕	dn.01	Console mode setting
<b>rL--</b>	→	rL.00	↕	rL.12	UV1 dimmer
<b>gL--</b>	→	gL.00	↕	gL.12	UV2 dimmer
<b>bL--</b>	→	bL.00	↕	bL.12	UV3 dimmer
<b>FLAS</b>	→	FL.00	↕	FL.12	Color strobe effect
<b>FAde</b>	→	FA.00	↕	FA.12	Color fade effect
<b>ASC-</b>	→	AS.00	↕	AS.12	Color jump change effect
<b>CE--</b>	→	CE.00	↕	CE.12	Effect Mode
<b>CS--</b>	→	CS.00	↕	CS.12	Effect Mode Speed
<b>SOUA</b>	→	SA.00	↕	SA.30	Sound active (color jump change)
<b>SOUF</b>	→	SF.00	↕	SF.30	Sound active (color flash)

# 9. Appendix

## 9.1. Channel Explanation

	<b>Channel</b>	<b>Value</b>	<b>Function</b>	
<b>dn.00(12 channel mode)</b>				
<b>CH1=0</b>	CH1	0	Auto run mode (open)	
	CH2	0-225	Fifteen kind of auto run effect	
		226-255	Two kind of sound control (226-240 & 241-255)	
	CH3	0-255	Speed of auto run	
<b>CH1=1-128</b>	CH1	1-128	Overall mode (open)	
	CH2	0-255	Total dimmer (0-100%)	
	CH3	0-255	UV1 dimmer (0-100%)	
	CH4	0-255	UV2 dimmer (0-100%)	
	CH5	0-255	UV3 dimmer (0-100%)	
	CH6	0 1-255	Strobe off Strobe effect (slow to fast)	
<b>CH1=129-255</b>	CH1	129-255	Three section mode (open)	
	CH2	0-255	Total dimmer (0-100%)	
	CH3	0-255	UV11 dimmer (0-100%)	<b>section first</b>
	CH4	0-255	UV12 dimmer (0-100%)	
	CH5	0-255	UV13 dimmer (0-100%)	
	CH6	0-255	UV21 dimmer (0-100%)	<b>section second</b>
	CH7	0-255	UV22 dimmer (0-100%)	
	CH8	0-255	UV23 dimmer (0-100%)	
	CH9	0-255	UV31 dimmer (0-100%)	<b>section three</b>
	CH10	0-255	UV32 dimmer (0-100%)	
	CH11	0-255	UV33 dimmer (0-100%)	
	CH12	0 1-255	Strobe off Strobe effect (slow to fast)	
	<b>dn.01(3 channel mode)</b>			
	CH1	0-255	UV1 dimmer (0-100%)	
	CH2	0-255	UV2 dimmer (0-100%)	
	CH3	0-255	UV3 dimmer (0-100%)	